

RS-232C SPECIFICATIONS

The TRV-35H can be operated with the personal computer (IBM/PC or compatible) with connecting it to the RS-232C terminal.

● Set up

1. Connect the TRV-35H to the personal computer with the RS-232C connection cable (Optional).

Refer to the following connection diagram. When using a commercially available RS-232C cable, make sure that it is connected as described below.

2. Start the personal computer to set the RS-232C mode same as that of the communication mode of the TRV-35H.

Refer to the instruction manual of the personal computer for setting the RS-232C mode.

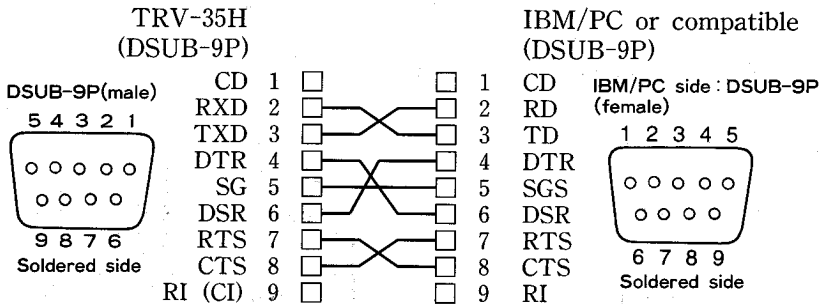
3. Set the transmission speed same as that of the personal computer. Then turn the power ON.

4. Start the program of the personal computer to operate the TRV-35H. Then open the communication line.

5. Controlling with RS-232C starts.

Note : Make sure to take the above steps for communication control.

● Cable connection



●RS-232C connector specifications (DSUB-9P)

Pin No.	Code	Direction of data		Comments
		TRV-35H	PC	
1	CD	—		CD : Carrier Detect
2	RXD	←		RXD : Received Data
3	TXD	→		TXD : Transmitted Data
4	DTR	→		DTR : Data terminal Ready
5	SG	—		SG : Signal Ground
6	DSR	←		DSR : Data Set Ready
7	RTS	→		RTS : Request To Send
8	CTS	→		CTS : Clear To Send
9	RI	—		RI : Ring Indicator

●Transmission mode

Half duplex start-stop sync. mode

Start bit : 1 bit

Data bit : 8 bit

Stop bit : 1 bit

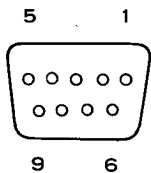
Parity bit : none

Baud rate

(Transmission speed) : 600, 1200, 2400, 4800 bps……DIP-SW selection

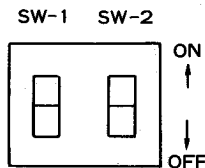
●RS-232C terminal and DIP-SW position

DSUB-9P(female)



Receptacle side

DIP-SW



Baud Rate Setting
(DIP-SW selection)

Baud Rate	SW-1	SW-2
600	OFF	OFF
1200	ON	OFF
2400	OFF	ON
4800	ON	ON

* Factory set at : 4800 bps

Viewed from rear panel

LIST OF TRANSMISSION COMMANDS

Function	Command	Parameter	Data	Comments
Foward	FW	0	□□	
Reverse	RE	0	□□	
Zoom selection	ZO	TELE= + WIDE= -	□□	
Focus selection	FO	NEAR= + FAR= -	□□	
Iris selection	IR	OPEN= + CLOSE= -	□□	
Power source of light	LA	ON= 1 OFF= 0	□□	
"0" mark reset	ZR	FWD= F REV= R	□□	The slide tray is turned rotates forward with the parameter "F". (reversely with "R").
Frame number setting	NS	0	00~80	This command becomes effective after the "0" mark reset is carried out.
Frame number inquiry	NQ	0	□□	This command becomes effective after the "0" mark reset is carried out.

Note : "□□" means transmitting SPACE [20H] twice.

DATA FORMAT SPECIFICATIONS

This command is in accordance with the form of 1-command/1-packet.
The next key input is not received until the one processing is executed.

● File open and file close

Communication will be carried out in ASCII code according to the following format.

ENQ [05H] : Inquiry for connecting the line (PC→TRV-35H)

ACK [06H] : Sent upon normal acknowledgment (TRV-35H→PC)

NAK [15H] : Sent upon negative acknowledgment (TRV-35H→PC)

EOT [04H] : Sent upon end of the line (PC→TRV-35H)

ACK [06H] : Sent upon normal acknowledgment (TRV-35H→PC)

Transmit format (PC→TRV-35H)

{STX}	command	parameter	data	{ETX}
02H	□□	□	□□	03H
			2×20H	

Notes :

1. Make sure that the transmit format starts with STX (Start of Text) and ends with ETX (End of Text).
2. If the transmit format or command name is wrong, NAK (Negative Acknowledgment) is sent from the TRV-35H as a result of failing to receive correctly.
3. If the send format is correctly sent, the TRV-35H sends ACK (Normal Acknowledgment).
4. If the connector cable is not correctly connected to the TRV-35H and personal computer, no answer is obtained.
Connect the connector cable correctly with screws for operation.
5. The above data format is not supported by operation commands.
Input SP [20H] for sending.

Receive format (personal computer→TRV-35H)

{ACK}	{NAK}
06H	15H

6. Carry out the operation commands for iris selection/focus selection/zoom selection successively.

REMOTE

● Remote-A terminal

Terminal for video mixer type VMX-4.

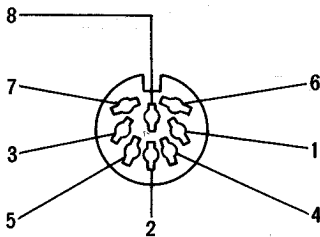
For multi-slide presentation, connect to the DIN8P plugs of VMX-4.

● Remote-B terminal

Terminal for wired remote.

The remote receptacle comes with a DIN8P (round type) connector outlet.

These functions will work when the relative contacts are shorted.



○ Function between contacts

Close contact	Functions
1 - 8	Foward
2 - 8	Reverse
3 - 8	Zoom to WIDE
4 - 8	to TELE
5 - 8	Iris to OPEN
6 - 8	to CLOSE
(While closing contact between 7 & 8, close another contact.)	
7 - 8 / 1 - 8	"0" mark reset Foward
7 - 8 / 2 - 8	Reverse
7 - 8 / 3 - 8	Focus to FAR
7 - 8 / 4 - 8	to NEAR
7 - 8 / 5 - 8	Lamp ON
7 - 8 / 6 - 8	OFF

8 COMMON

"0" mark reset : By the operations mentioned above, the tray rotates automatically so that the "0" mark slot returns to Gate index mark position.